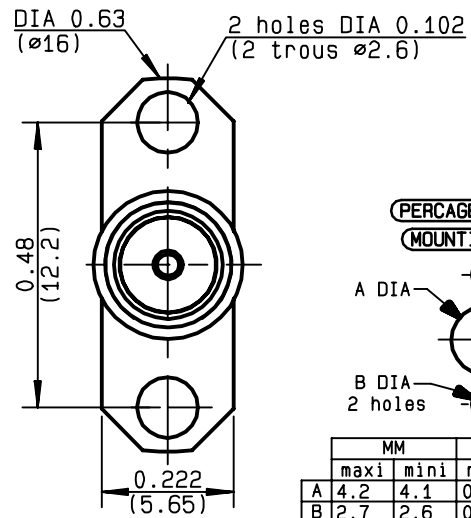
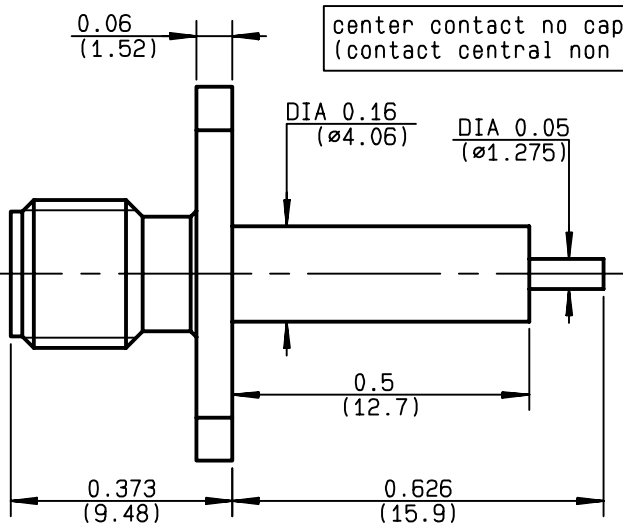


**ADJUST. 2 HOLES FLANGE JACK RECEPTACLE
NON CAPTIVE C. CONTACT- PACK. 100**

R124.470.000
SERIES SMA-COM



PERCAGE PANNEAU
MOUNTING HOLE

	MM		INCH	
	maxi	mini	maxi	mini
A	4.2	4.1	0.165	0.161
B	2.7	2.6	0.106	0.102
C	12.25	12.15	0.482	0.478

NOMINAL IMPEDANCE	50	Ω
FREQUENCY RANGE	0-18	GHz
TEMPERATURE RATING	-65/+165	$^{\circ}C$
V.S.W.R	1.04 + .0023 x F(GHz)	Maxi
RF INSERTION LOSS	NA	\sqrt{F} (GHz) dB Maxi
VOLTAGE RATING	500	Veff Maxi
DIELECTRIC WITHSTANDING VOLTAGE	1000	Veff Mini
INSULATION RESISTANCE	5000	M Ω Mini
HERMETIC SEAL	NA	Atm.cm ³ /s
LEAKAGE (pressurized only)	NA	
MECHANICAL DURABILITY	100	Cycles
WEIGHT	2.2	gr
SPECIFICATION		

CABLES :

OTHERS CHARACTERISTICS

cc15.9-1s12.7-tro12.7-11

CABLE RETENTION	NA	N Mini
CENTER CONTACT RETENTION		
Axial force - mating end	NA	N Mini
Axial force - opposite end	NA	N Mini
Torque	NA	cm.N Mini
RECOMMENDED TORQUES		
Mating	NA	cm.N
Panel nut	NA	cm.N
Clamp nut	NA	cm.N

CONNECTOR PARTS:	MATERIALS	FINISH	(all values are given in micrometers)
BODY	BRASS	BBR 2	
OUTER CONTACT			
CENTER CONTACT	BERYLLIUM COPPER	GOLD 1.3 OVER COPPER 2.5	
INSULATOR	PTFE	-	
GASKET		-	
OTHERS PIECES			

ISSUE	CREATION DATE	FILE PART-NUMBER
9847B00	13/01/1997	96-0004-249



LELEU

The information given here is subject to change without notice.
Design changes may be in order to improve the product .

Connect to the future